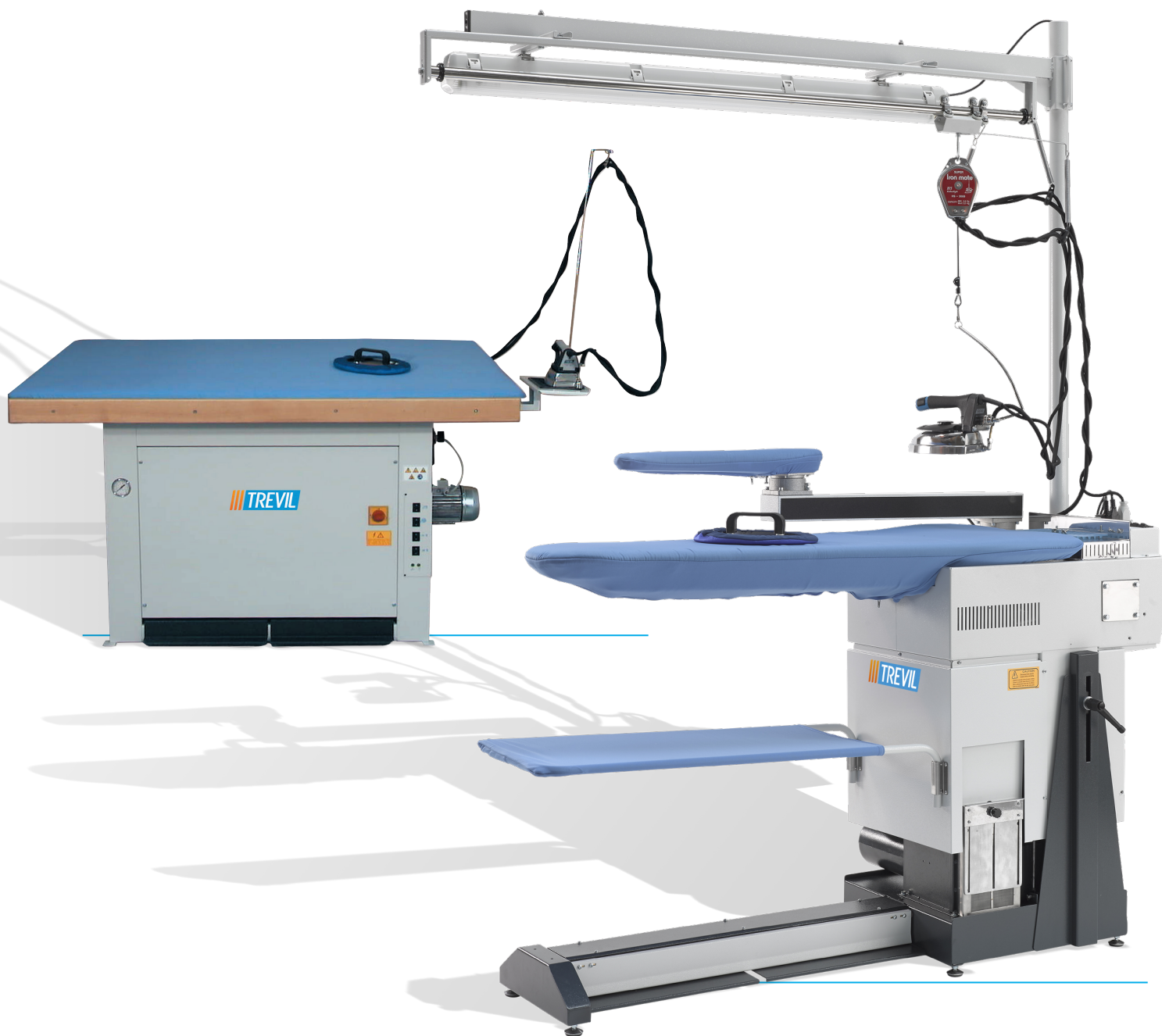


VULKANA - PLANOVAP

TREVIL

INNOVATION FOR YOU



Vulkana - Planovap

Line of up-steam tables. Built-in boiler available on all models.

VULKANA

Line of up-steam, suction and blowing tables.

VULKANA

Vulkana is a line of up-steam, suction and blowing tables with a large ironing surface.

The main feature of Vulkana tables is the steam chamber located under the ironing surface. This ensures an abundant steam flow, evenly distributed all over the surface.

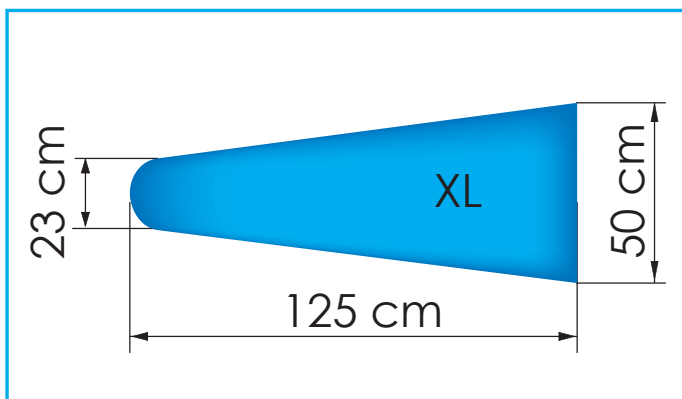
The tables can be set with point to the left or point to the right.

Vulkana tables may come for connection to central steam or with a built-in boiler.

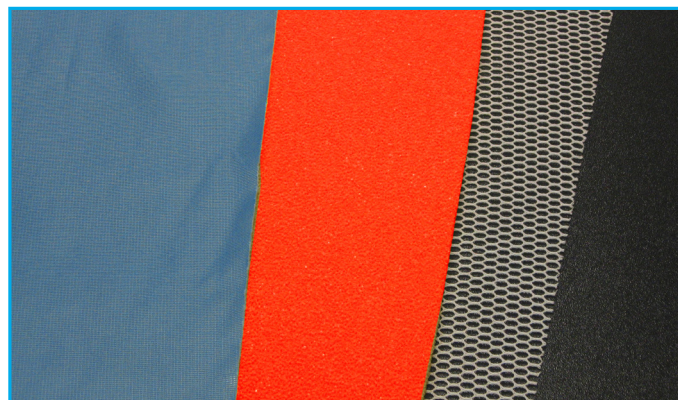


DESIGNED TO PERFORM

A table that stands out for its superior characteristics.



Large utility shape



Highly transparent foam pad, lasts longer without felting.



The steam is kept live in a steam chamber under the surface. As the operator steps on the steam pedal, the steam is immediately released in large quantity all over the surface.



The Trevil steam electric iron is included with all models. Entirely made by Trevil in Italy. It can be used with the left or right hand.



The boiler module includes the 8 lt pressure vessel made of stainless steel, the water pump and the electronic water level control. Two sizes are available: 6kW and 7,5kW. It is removable for easy maintenance.

EASY TO USE

Small details that make a difference



The height of the ironing surface can be adjusted easily without tools thanks to the spring aided mechanism.



Blowing strenght can be adjusted.

FEATURES AND OPTIONS

Padded hand plate

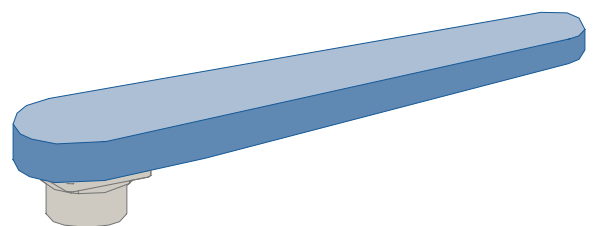
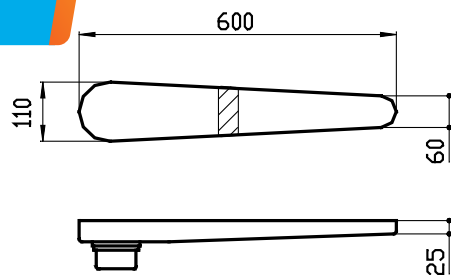


Garment tray



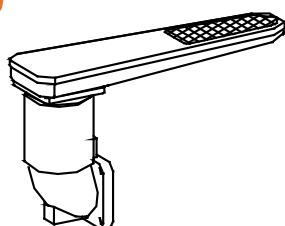
OPTIONS

Bucks for swing arm



Different heated and non heated bucks are available for the swing arm.

Spotting arm



Steam and steam-air gun



PLANOVAP

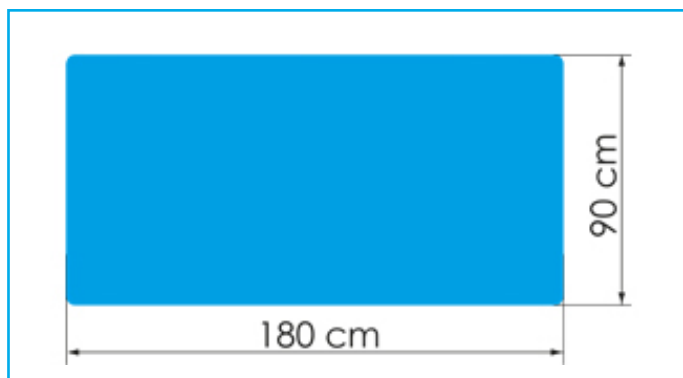
A broad up-steam table for knitwear

Rectangular up-steam table for knitwear.

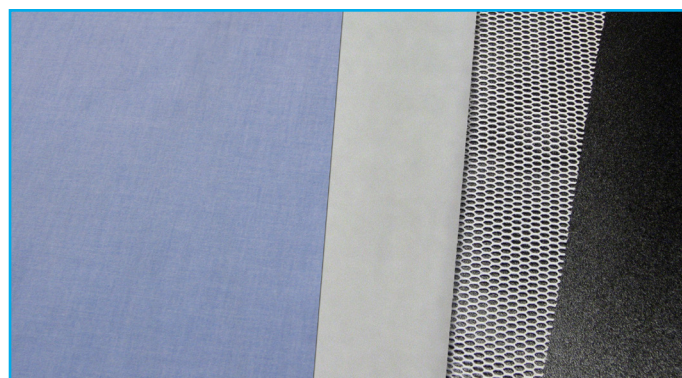
The steam chamber located under the ironing surface ensures an abundant steam flow, evenly distributed all over the surface.

Planovap may come for connection to central steam or with a built-in 18kW boiler.

Rugged construction allows for many years of faultless operation.



Large pressing surface.

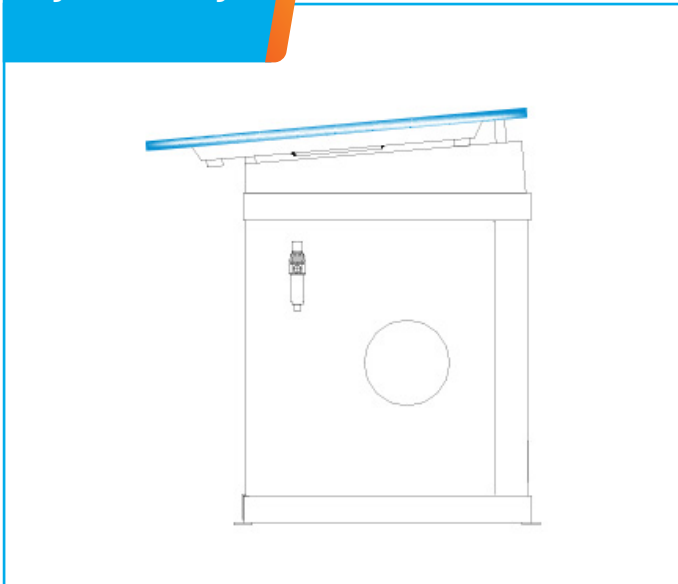


Inexpensive and sturdy padding.

PLANOVAP

Main features

Ergonomic design



Conveniently angled surface.



Wooden bar for heat protection.

Ready for iron connection



Padded hand plate



PLANOVAP

Options

18 kW boiler



Built-in automatic boiler with pump and electronic level control.
Modular heating elements allow easier maintenance: if one element fails, the table can still be used.
Also the cost of the spare part is less, compared to replacing a single 18kW element.

Steam electric iron



The Trevil steam electric iron can be added as an option. Entirely made by Trevil in Italy. It can be used with the left or right hand.

Electronic timing

Upon request, the Planovap table can be equipped with electronic timing of the ironing cycle.



INNOVATION FOR YOU

Trevil s.r.l. - Via Copernico, 1 - 20060 Pozzo d'Adda (MI) - Italy
Tel. +39 02 9093141 - www.trevil.com - info@trevil.com

