

EASYFORM

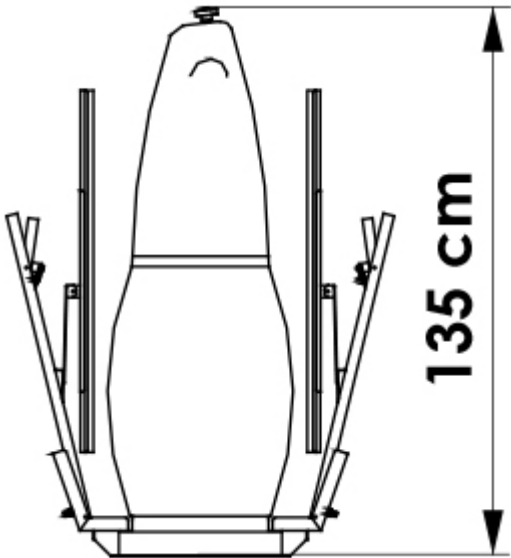


Traditional air / steam form finisher. Available with or without boiler.

Product codes: 5040, 5050, 5055

DESCRIZIONE: Range of traditional steam/air form finishers for jackets, overcoats, and similar items. Electronic control of finishing cycle time. Available with or without boiler. **MODERN** Easyform is modern technology applied to a traditional form finisher. The electronic control board allows to program and store common finishing cycles. **CONVENIENT** Easyform is designed for the operator's comfort. The blowing adjustment conveniently located on the front can be shifted with a foot. The pivoting console can be moved to the most convenient position. A single front pedal starts the cycle. **COMPACT** Easyform has small footprint of 41 x 112 cm. It is available for connection to central steam or with built-in boiler, either 7,5 kW or 15 kW. |

MAIN FEATURES

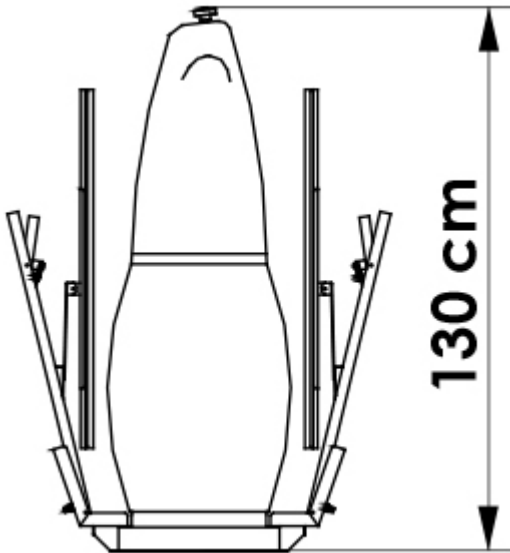


Standard form

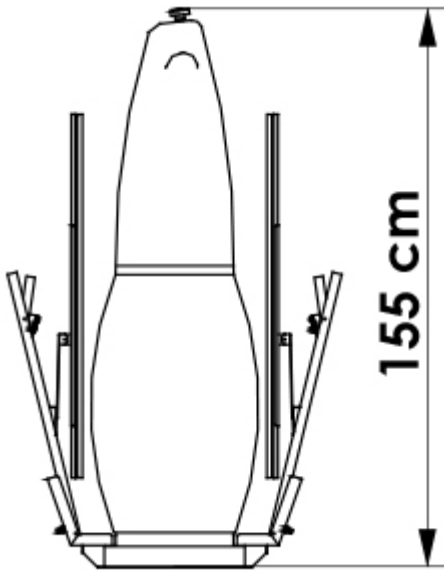


Trevil electronic programmer

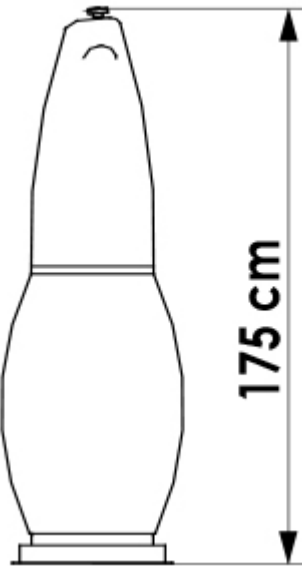
OPTIONS



Baby



Maxi



Giant

TECHNICAL SPECIFICATIONS

	5040	5050	5055
Description	Traditional air / steam form finisher – Without boiler	Traditional air / steam form finisher – 7,5 kW boiler	Traditional air / steam form finisher – 15 kW boiler
Electrical requirements	400V 3N 50Hz 220V 3 60Hz	400V 3N 50Hz 220V 3 60Hz	400V 3N 50Hz 220V 3 60Hz
Total power	1,1 kW	9,4 kW	16,9 kW
Blowing power	1,1 kW 1,48 HP	1,1 kW 1,48 HP	1,1 kW 1,48 HP
Boiler	–	7,5 kW	15 kW
Pump power	–	0,6 kW 0,85 HP	0,6 kW 0,85 HP
Steam consumption	15 – 20 kg/h 33 – 44 lbs/h	15 – 20 kg/h 33 – 44 lbs/h	15 – 20 kg/h 33 – 44 lbs/h
Air consumption	5 NI/min 0,18 cfm	5 NI/min 0,18 cfm	5 NI/min 0,18 cfm
Steam pressure	5 bar 72 PSI	5 bar 72 PSI	5 bar 72 PSI
Air pressure	–	–	–
Footprint	410 x 1120 mm 16" x 44"	410 x 1120 mm 16" x 44"	410 x 1120 mm 16" x 44"
Dimensions	1050 x 1470 x 1720 mm 41" x 58" x 68"	1050 x 1470 x 1720 mm 41" x 58" x 68"	1050 x 1470 x 1720 mm 41" x 58" x 68"
Net weight	75 kg 165 lbs	118 kg 260 lbs	118 kg 260 lbs